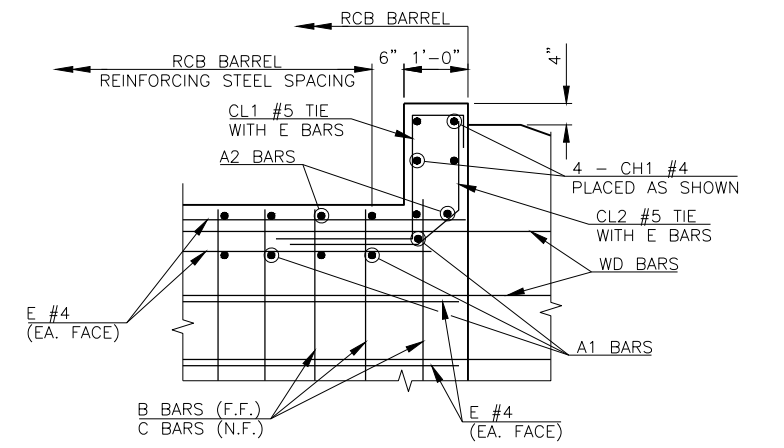
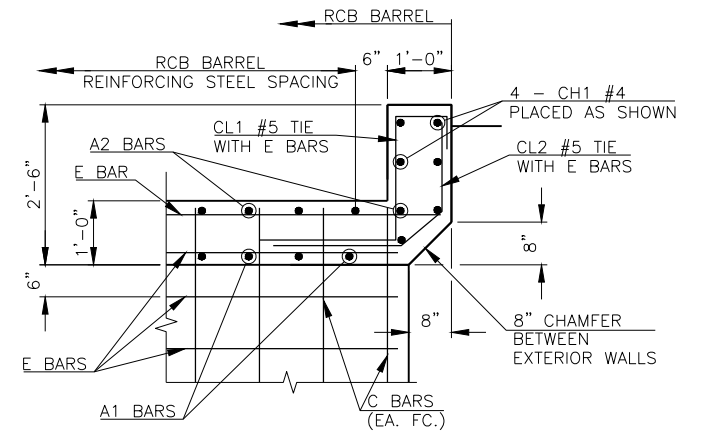


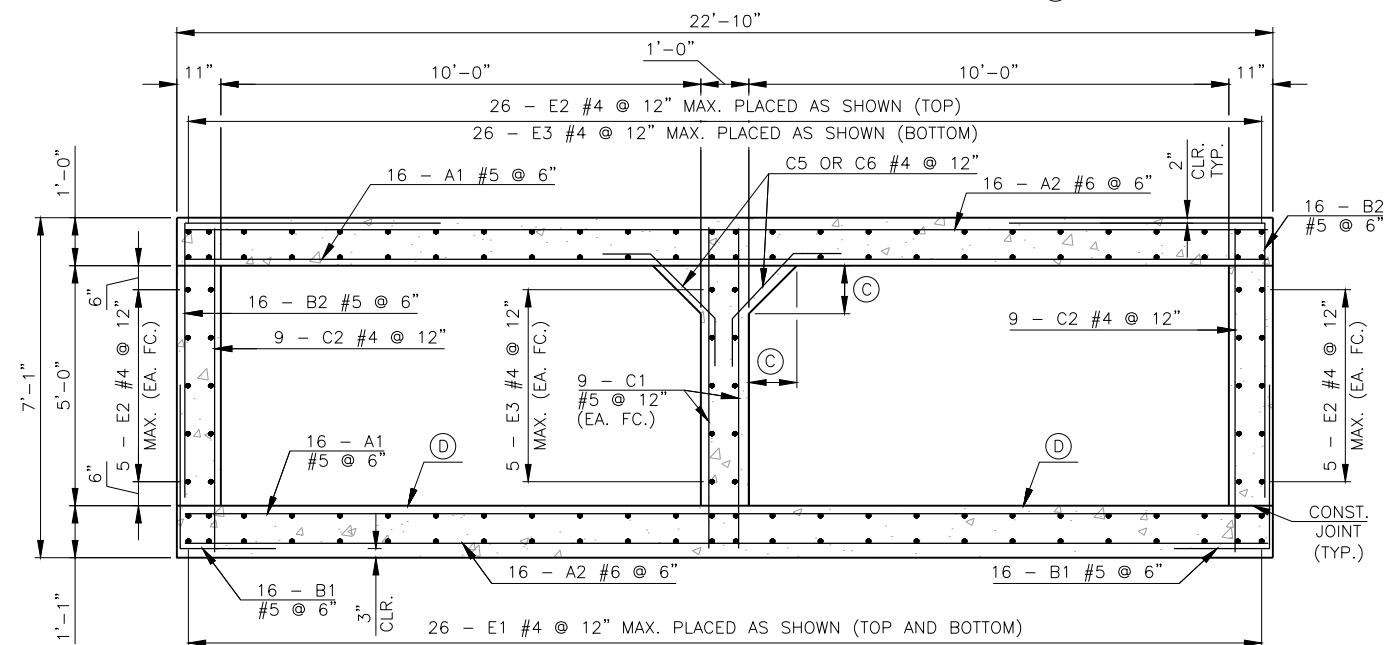
ELEVATION



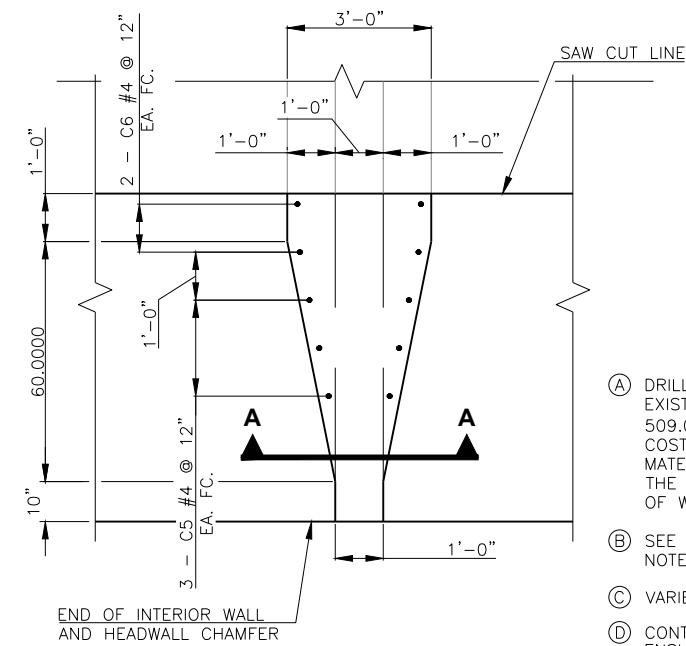
HEADWALL DETAIL AT EXTERIOR WALL



HEADWALL DETAIL AT INTERIOR WALL



SECTION A-A



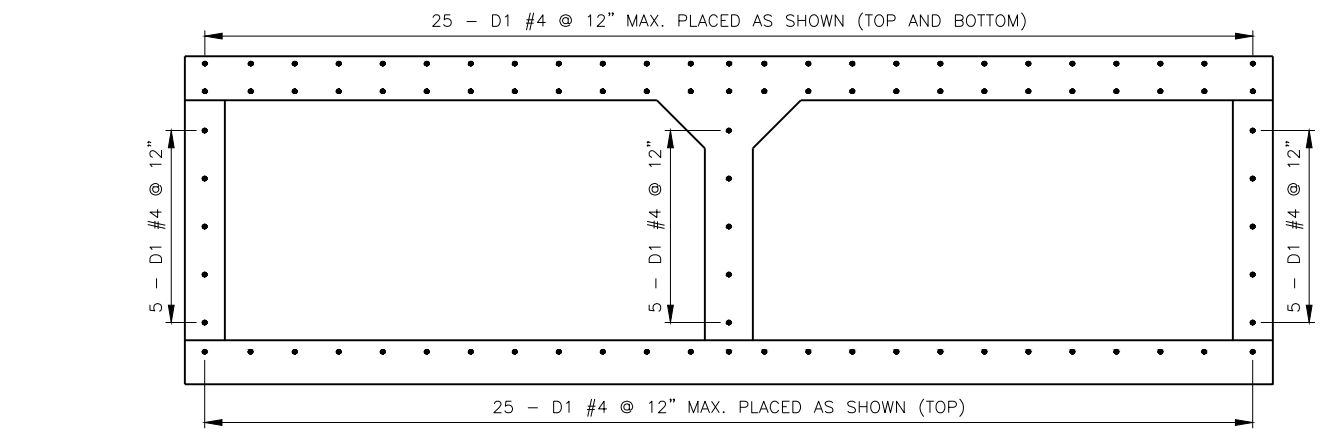
INTERIOR WALL CHAMFER TRANSITION PLAN

- (A) DRILL AND EPOXY REBAR DOWELS, D1 INTO EXISTING BARREL OF RCB ACCORDING TO SECTION 509.04(D) OF THE STANDARD SPECIFICATIONS. ALL COST OF INSTALLING DOWELS INCLUDING LABOR, MATERIALS AND INCIDENTALS NECESSARY TO DO THE WORK, SHALL BE INCLUDED IN OTHER ITEMS OF WORK.
 - (B) SEE TEMPORARY RETAINING STRUCTURES GENERAL NOTE ON SHEET AB01.
 - (C) VARIES FROM 0" TO 1'-0"
 - (D) CONTOUR BOTTOM SLAB TO MATCH EXISTING RCB. ENSURE CLEAR COVER IS MAINTAINED AT ALL LOCATIONS.
 - (E) FOR A, B, C, AND E BAR PLACEMENT, SEE THIS SHEET AND SHEETS B015 AND B016.
- NOTE:
FOR SECTIONS B-B AND C-C, SEE SHEET B015.
- NOTE:
FOR B1 AND B2 BAR BEND, SEE SHEET B016.

NORTH RCB BARREL AND HEADWALL QUANTITIES			
ITEM	UNIT	TOTAL	
UNCLASSIFIED EXCAVATION	C.Y.	45	
STRUCTURAL EXCAVATION UNCLASSIFIED	C.Y.	20	
CLASS AA CONCRETE	C.Y.	18.3	
REINFORCING STEEL	LB.	3,860	
REMOVAL OF BRIDGE ITEM (TYPE A)	LSUM.	1	

(1) BARREL QUANTITIES INCLUDE THE QUANTITIES FOR ONE HEADWALL.

NORTH RCB BARREL AND HEADWALL BAR LIST					
REINFORCING STEEL					
MARK	SIZE	NO.	FORM	LENGTH	LENGTH VARIATION
A1	#5	32	STR.	22'-6"	
A2	#6	32	STR.	22'-6"	
B1	#5	32	BNT.	6'-2"	
B2	#5	32	BNT.	8'-11"	
C1	#5	18	STR.	6'-8"	
C2	#4	18	STR.	6'-8"	
C5	#4	6	BNT.	2'-11" AVG.	2'-8" TO 3'-2"
C6	#4	4	BNT.	3'-6"	
CH1	#4	4	STR.	22'-6"	
CL1	#4	26	BNT.	4'-4"	
CL2	#4	26	BNT.	4'-3"	
D1	#4	90	STR.	2'-0"	
E1	#4	52	STR.	17'-2"	
E2	#4	46	STR.	7'-2"	
E3	#4	36	STR.	6'-6"	



DOWEL DETAIL

NOTE:
TYPICAL REINFORCING NOT SHOWN FOR CLARITY.

C5 #4 X 2'-11" AVG.
C6 #4 X 3'-6"

CL1 #4 X 4'-4"

CL2 #4 X 4'-3"